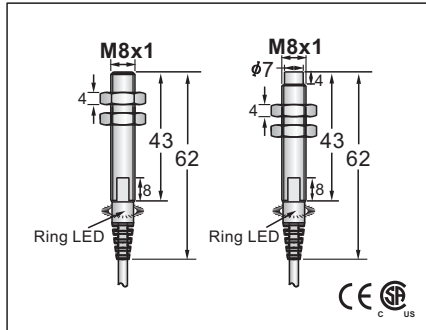


DC HIGH TORQUE, STANDARD SENSING RANGE (LONG BODY)

DC HIGH TORQUE, STANDARD SENSING RANGE (LONG BODY)

M8	
●	○
1.5	2.0
Stainless steel	
●	

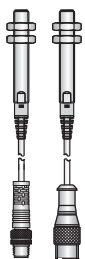


10-30 VDC
10% max.
8x8x1 mm
2,000Hz
10mA max.
200mA max.(DC 2-wire type:100mA max.)
0.8mA max.
2V max.(DC 2-wire type: 6V max.)
≤ 15% of sensing distance
IP67
-25°C to 70°C
Operating: 35% to 95%
<10%
YES
YES (Except DC 2-wire type)
RFI>3V/m / EFT>1KV / ESD>4KV (contact)
IEC 60947-5-2,Part 7.4.1 / IEC 60947-5-2,Part 7.4.2
PBT

<u>OCN1-081.5N-A3L2</u>	1	<u>OCN2-0802N-A3L2</u>
<u>OCN1-081.5N-B3L2</u>	2	<u>OCN2-0802N-B3L2</u>
<u>OCN1-081.5P-A3L2</u>	3	<u>OCN2-0802P-A3L2</u>
<u>OCN1-081.5P-B3L2</u>	4	<u>OCN2-0802P-B3L2</u>

<u>OCN1-081.5C-A2L2</u>	7	<u>OCN2-0802C-A2L2</u>
<u>OCN1-081.5C-B2L2</u>	8	<u>OCN2-0802C-B2L2</u>

Pigtail types

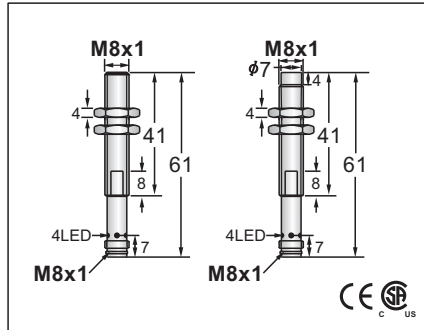


Note:
The standard cable length is 300mm.
Any other length can be made by request.
The relevant part number is with suffix "P8, P12", for example:
OCN1-081.5N-A3L0.3/P8
M8 pigtail mode
OCN1-081.5N-A3L0.3/P12
M12 pigtail mode

3 φ 3x0.15
Approx.65 g

Note:
Coming Soon : Part numbers with underline

M8	
●	○
1.5	2.0
Stainless steel	
●	



10-30 VDC
10% max.
8x8x1 mm
2,000Hz
10mA max.
200mA max.(DC 2-wire type:100mA max.)
0.8mA max.
2V max.(DC 2-wire type: 6V max.)
≤ 15% of sensing distance
IP67
-25°C to 70°C
Operating: 35% to 95%
<10%
YES
YES (Except DC 2-wire type)
RFI>3V/m / EFT>1KV / ESD>4KV (contact)
IEC 60947-5-2,Part 7.4.1 / IEC 60947-5-2,Part 7.4.2
PBT

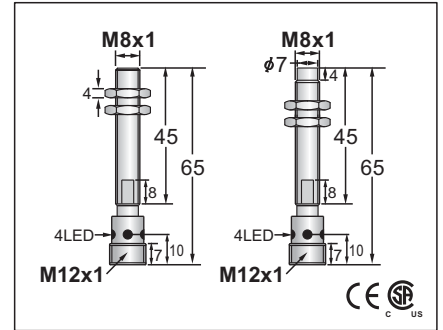
<u>OCN1-081.5N-ACL3</u>	29	<u>OCN2-0802N-ACL3</u>
<u>OCN1-081.5N-BCL3</u>	29	<u>OCN2-0802N-BCL3</u>
<u>OCN1-081.5P-ACL3</u>	30	<u>OCN2-0802P-ACL3</u>
<u>OCN1-081.5P-BCL3</u>	30	<u>OCN2-0802P-BCL3</u>

<u>OCN1-081.5C-ACL3</u>	39	<u>OCN1-0802C-ACL3</u>
<u>OCN1-081.5C-BCL3</u>	71	<u>OCN1-0802C-BCL3</u>

Please see Page 18 for details and specifications of DC 2-Wire models on this page.

Approx.15 g

M8	
●	○
1.5	2.0
Nickel plated brass	
●	



10-30 VDC
10% max.
8x8x1 mm
2,000Hz
10mA max.
200mA max.(DC 2-wire type:100mA max.)
0.8mA max.
2V max.(DC 2-wire type: 6V max.)
≤ 15% of sensing distance
IP67
-25°C to 70°C
Operating: 35% to 95%
<10%
YES
YES (Except DC 2-wire type)
RFI>3V/m / EFT>1KV / ESD>4KV (contact)
IEC 60947-5-2,Part 7.4.1 / IEC 60947-5-2,Part 7.4.2
PBT

<u>OCN1-081.5N-ARL4</u>	33	<u>OCN2-0802N-ARL4</u>
<u>OCN1-081.5N-BRL4</u>	34	<u>OCN2-0802N-BRL4</u>
<u>OCN1-081.5P-ARL4</u>	35	<u>OCN2-0802P-ARL4</u>
<u>OCN1-081.5P-BRL4</u>	36	<u>OCN2-0802P-BRL4</u>

<u>OCN1-081.5C-ARL4</u>	40	<u>OCN2-0802C-ARL4</u>
<u>OCN1-081.5C-BRL4</u>	78	<u>OCN2-0802C-BRL4</u>

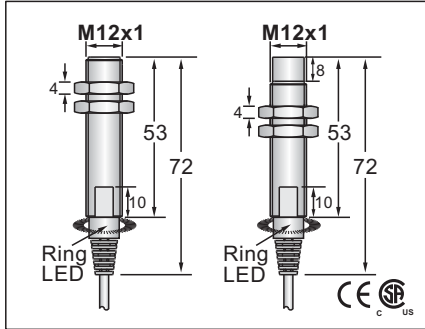
Approx.20 g

M12、M18

DC HIGH TORQUE, STANDARD SENSING RANGE (LONG BODY)

DC HIGH TORQUE, STANDARD SENSING RANGE (LONG BODY)

M12	
●	○
2.0	4.0
Nickel plated brass	
●	



10-30 VDC	
10% max.	
12x12x1 mm 2,000Hz	15x15x1 mm 1,000Hz
10mA max.	
200mA max.(DC 2-wire type:100mA max.)	
0.8mA max.	
2V max.(DC 2-wire type: 6V max.)	
≤ 15% of sensing distance	
IP67	
-25°C to 70°C	
Operating: 35% to 95%	
<10%	
YES	
YES (Except DC 2-wire type)	
RFI>3V/m / EFT>1KV / ESD>4KV (contact)	
IEC 60947-5-2,Part 7.4.1 / IEC 60947-5-2,Part 7.4.2	

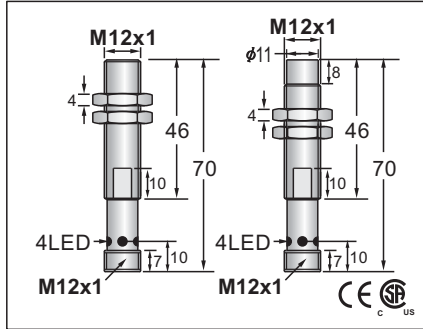
PBT			
<u>OCN1-1202N-A3L2</u>	1	<u>OCN2-1204N-A3L2</u>	1
<u>OCN1-1202N-B3L2</u>	2	<u>OCN2-1204N-B3L2</u>	2
<u>OCN1-1202P-A3L2</u>	3	<u>OCN2-1204P-A3L2</u>	3
<u>OCN1-1202P-B3L2</u>	4	<u>OCN2-1204P-B3L2</u>	4
<u>OCN1-1202P-S4L2</u>	6	<u>OCN2-1204P-S4L2</u>	6
<u>OCN1-1202N-S4L2</u>	5	<u>OCN2-1204N-S4L2</u>	5
<u>OCN1-1202C-A2L2</u>	7	<u>OCN2-1204C-A2L2</u>	7
<u>OCN1-1202C-B2L2</u>	8	<u>OCN2-1204C-B2L2</u>	8

Pigtail types

Note:
The standard cable length is 300mm. Any other length can be made by request.
The relevant part number is with suffix "P8, P12", for example:
OCN1-1202N-A3L0.3/P8
M8 pigtail mode
OCN1-1202N-A3L0.3/P12
M12 pigtail mode

4 φ 3x0.15
Approx.85 g

M12	
●	○
2.0	4.0
Nickel plated brass	
●	



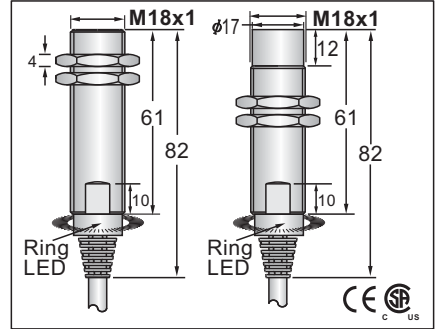
10-30 VDC	
10% max.	
12x12x1 mm 2,000Hz	15x15x1 mm 1,000Hz
10mA max.	
200mA max.(DC 2-wire type:100mA max.)	
0.8mA max.	
2V max.(DC 2-wire type: 6V max.)	
≤ 15% of sensing distance	
IP67	
-25°C to 70°C	
Operating: 35% to 95%	
<10%	
YES	
YES (Except DC 2-wire type)	
RFI>3V/m / EFT>1KV / ESD>4KV (contact)	
IEC 60947-5-2,Part 7.4.1 / IEC 60947-5-2,Part 7.4.2	

PBT			
<u>OCN1-1202N-ARL4</u>	33	<u>OCN2-1204N-ARL4</u>	33
<u>OCN1-1202N-BRL4</u>	34	<u>OCN2-1204N-BRL4</u>	34
<u>OCN1-1202P-ARL4</u>	35	<u>OCN2-1204P-ARL4</u>	35
<u>OCN1-1202P-BRL4</u>	36	<u>OCN2-1204P-BRL4</u>	36
<u>OCN1-1202P-SRL4</u>	38	<u>OCN2-1204P-SRL4</u>	38
<u>OCN1-1202N-SRL4</u>	37	<u>OCN2-1204N-SRL4</u>	37
<u>OCN1-1202C-ARL4</u>	40	<u>OCN2-1204C-ARL4</u>	40
<u>OCN1-1202C-BRL4</u>	78	<u>OCN2-1204C-BRL4</u>	78

Please see Page 18 for details and specifications of DC 2-Wire models on this page.

Approx.35 g

M18	
●	○
5.0	8.0
Nickel plated brass	
●	



10-30 VDC	
10% max.	
18x18x1 mm 1,000Hz	30x30x1 mm 500Hz
10mA max.	
200mA max.(DC 2-wire type:100mA max.)	
0.8mA max.	
2V max.(DC 2-wire type: 6V max.)	
≤ 15% of sensing distance	
IP67	
-25°C to 70°C	
Operating: 35% to 95%	
<10%	
YES	
YES (Except DC 2-wire type)	
RFI>3V/m / EFT>1KV / ESD>4KV (contact)	
IEC 60947-5-2,Part 7.4.1 / IEC 60947-5-2,Part 7.4.2	

PBT			
<u>OCN1-1805N-A3L2</u>	1	<u>OCN2-1808N-A3L2</u>	1
<u>OCN1-1805N-B3L2</u>	2	<u>OCN2-1808N-B3L2</u>	2
<u>OCN1-1805P-A3L2</u>	3	<u>OCN2-1808P-A3L2</u>	3
<u>OCN1-1805P-B3L2</u>	4	<u>OCN2-1808P-B3L2</u>	4
<u>OCN1-1805P-S4L2</u>	6	<u>OCN2-1808P-S4L2</u>	6
<u>OCN1-1805N-S4L2</u>	5	<u>OCN2-1808N-S4L2</u>	5
<u>OCN1-1805C-A2L2</u>	7	<u>OCN2-1808C-A2L2</u>	7
<u>OCN1-1805C-B2L2</u>	8	<u>OCN2-1808C-B2L2</u>	8

Pigtail types

Note:
The standard cable length is 300mm. Any other length can be made by request.
The relevant part number is with suffix "P12", for example:
OCN1-1805N-A3S0.3/P12
M12 pigtail mode

5.0 φ 44x0.1
Approx.160 g

Note:
Coming Soon : Part numbers with underline

